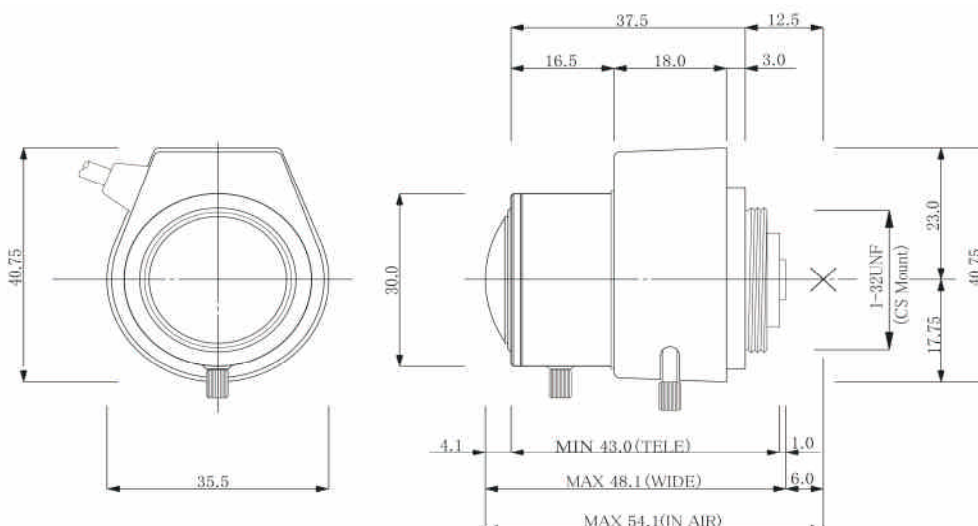


Kawaden CCTV LENS

KV2812DIR

**Very compact IR corrected model
f=2.8-12mm, Only 41.6mm long and 40g**

**IR corrected Vari Focal Lens
2.8-12mm F1.3-360**



Specifications

Model No.	KV2812DIR		Flange Back Length	12.5mm	
Focal Length	2.8-12mm		M.O.D.	0.3m	
Max. Aperture Ratio	1 : 1.3-360		Dimensions	35.5(W) x 40.7(H) x 41.6(L) mm	
Image Format	1/3 inch		Weight	40g	
Mount	CS mount		Operating Voltage	Open	Less than 4.0V
Operation	Iris	DC Auto Iris	Close	More than 0.5V	
	Focus	Manual	Operating Temperature	-10°C - +50°C	
	Zoom	Manual	Wave Length Covered	400nm - 900nm	
Angle of View (1/3")	D	118.6° - 30.2°			
	H	96.0° - 23.6°			
	V	70.8° - 17.8°			

Specifications are subject to change without notice

Kawaden Co., Ltd.